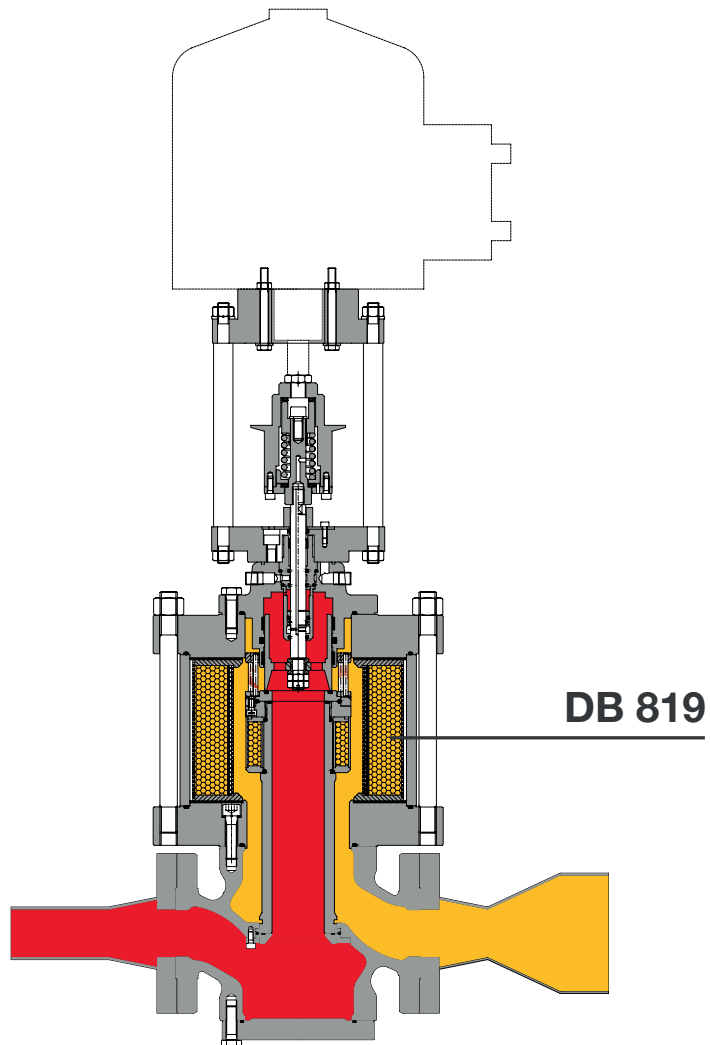
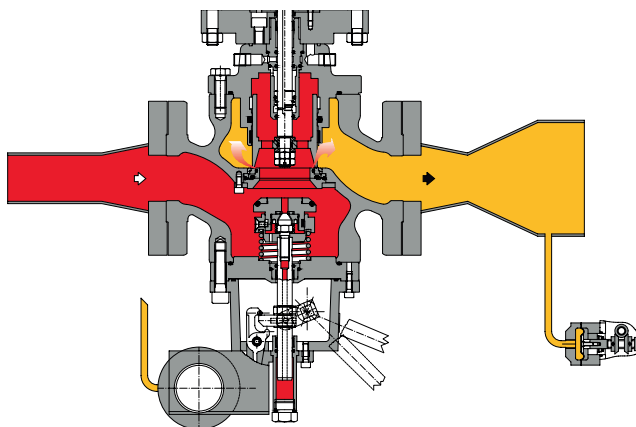


Syncroflux

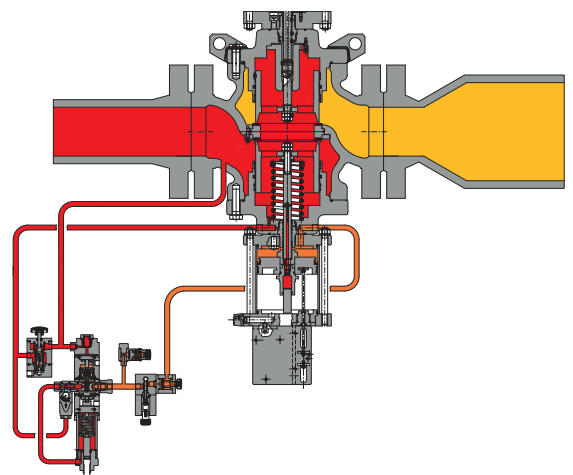
Valve




...+SB/82




...+HB/97



 Inlet pressure

 Outlet pressure

 Motorisation