

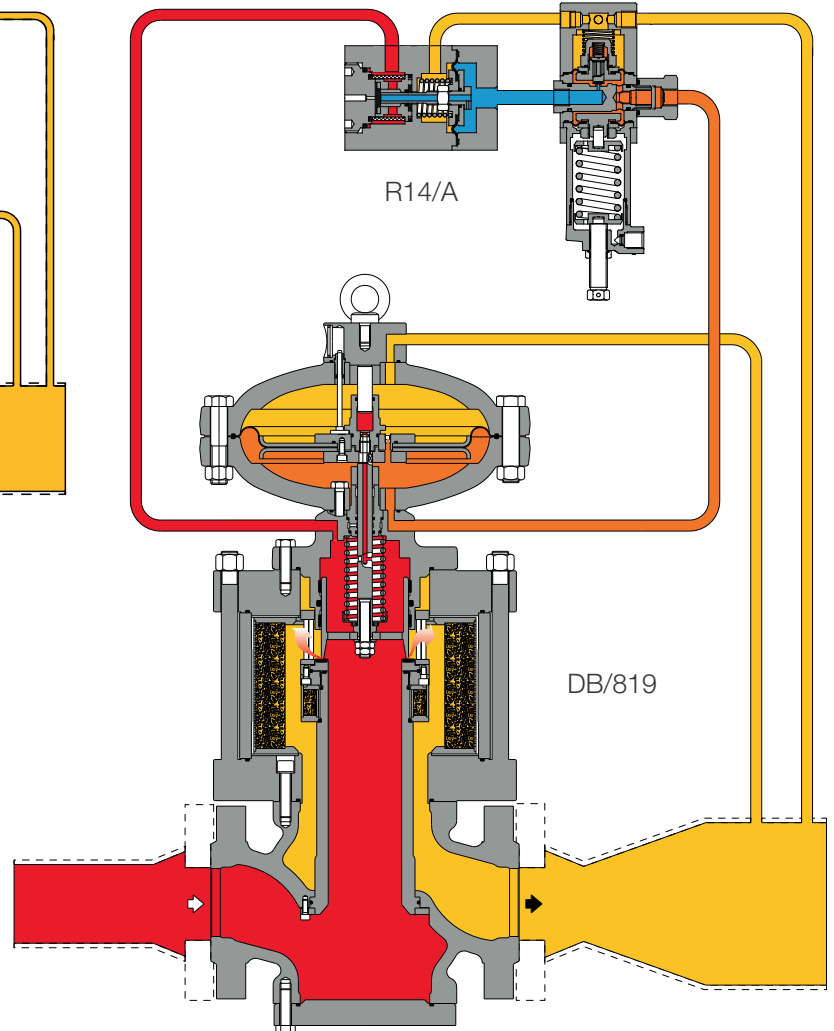
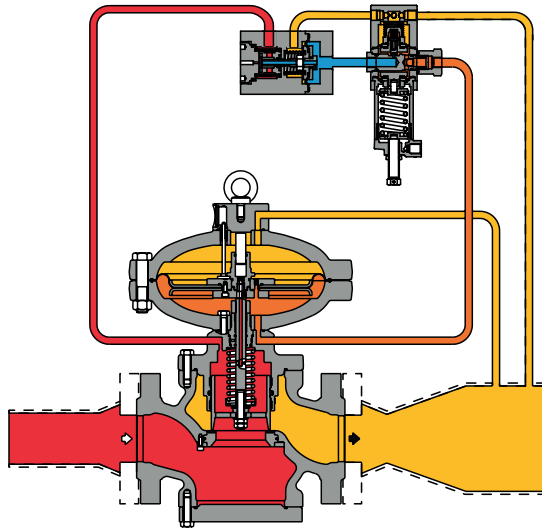
Reflux 819

Pressure Regulator

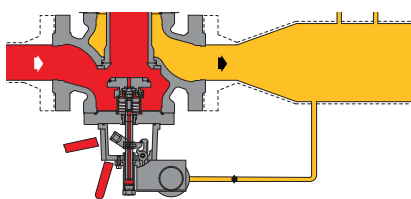
204/.
0,3 ÷ 43 bar
4.35 ÷ 623 psig

205/.
20 ÷ 60 bar
290 ÷ 870 psig

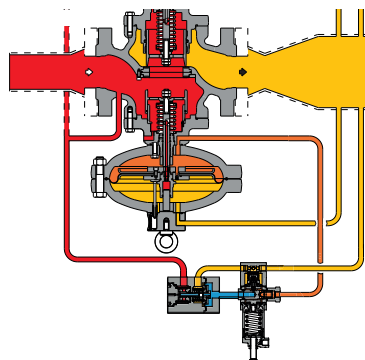
207/.
41 ÷ 74 bar
595 ÷ 1073 psig



...+SB/82



...+PM/819



...+HB/97

