



## PVS 782

Pilot-Operated  
Safety Relief Valves

## Classification and area of application

**PVS 782** type are pilot-operated relief valves in which the opening and the closing of the main plug are controlled by a pilot device very sensitive to the line pressure variations.

**PVS 782** is pilot operated relief valve ideal for all application where quick opening time and reliable reseating after opening are a must.

The **PVS 782** is a truly “Top Entry design” Which allows an easy maintenance of parts directly on the field.

**PVS 782** is available in a wide range of sizes and has a wide range of adjustment through two high precision pilots.

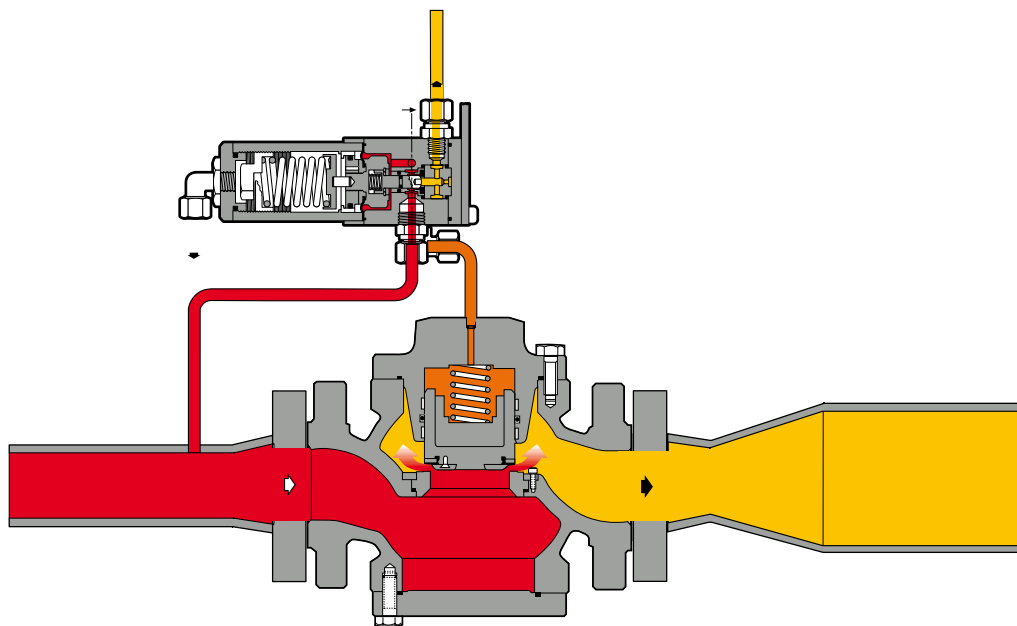


Fig.1 **PVS 782** - Pilot-operated safety relief valves



Inlet pressure



Outlet pressure



Control feed

## Features

### Functional features:\*

- **Maximum inlet pressure:** 102 bar
- **Opening start pressure:** 10% max
- **Minimum ambient temperature:** Up to -20°C
- **Maximum ambient temperature:** Up to + 60°C
- **Inlet gas temperature:** Up to -20°C + 60°C

### Design features:

- **DN Nominal dimensions:** 25 (1"); 50 (2"); 80 (3"); 100 (4"); 150 (6"); 200 (8");
- **Flanged connections:** Class 150, 300, 600 according to PN16, according to ISO 7005

### Materials: \*\*

- **Body:** Steel ASTM A216 WCB for class 150 Pn 16/25  
Steel ASTM A352 LCC for class 300 e 600
- **Valve seat:** Stainless steel
- **Plug:** Steel ASTM A350LF2
- **Sealing ring:** Viton
- **Connection fittings:** In zinc-plated carbon steel according to DIN 2353;  
Stainless steel on request

### Pilots:


The **PVS 782** safety valves are, alternatively, equipped with the following pilots:

- **P16/M:** Action range 1.5-40 barg
- **P17/M:** Action range 40-74 barg

NOTE: \* Different operating features available on request.  
\*\* The above materials refer to standard operations.  
Different materials can be provided for specific needs.

## Sizing of the safety valve

In general, the sizing of the safety valve involves determining the pressure drop under given operating conditions through the valve itself, verifying that such pressure drop is compatible with the plant parameters specified in the request.

Sizing	
	
For the sizing of the involved valves, kindly refer to our website: <b><a href="http://www.fiorentini.com/sizing">www.fiorentini.com/sizing</a></b>	
	Tab.1

## Typical connection diagrams

The following examples are provided as a recommendation to get the best performances from the safety valve **PVS 803**.

### IN-LINE INSTALLATION

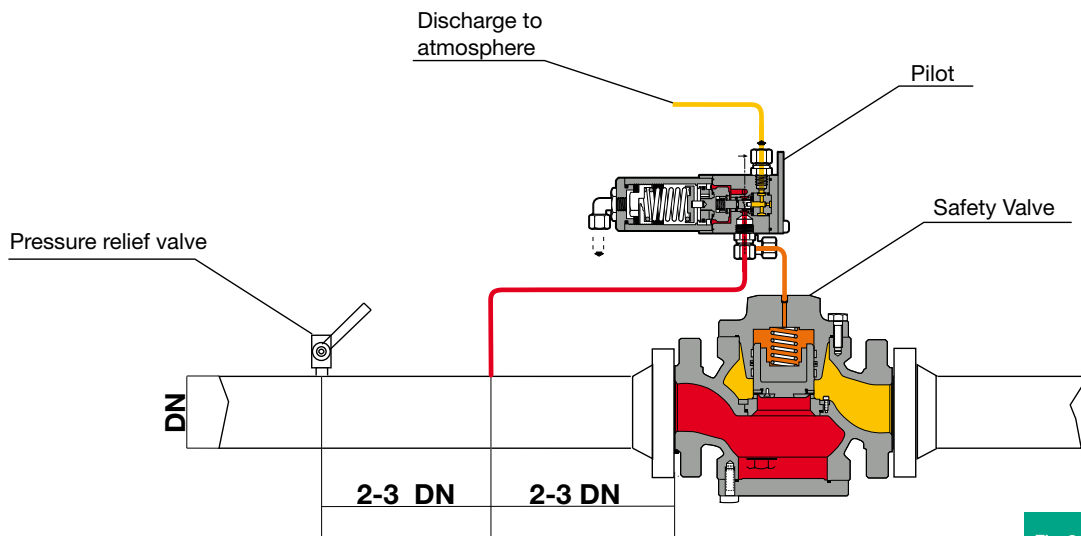


Fig.2

## Recommended installations

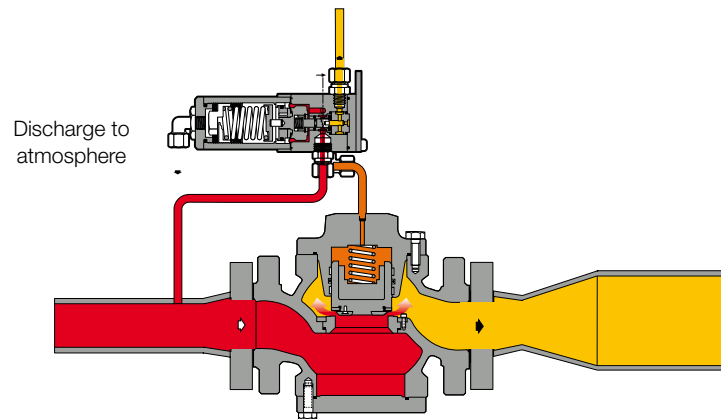


Fig.3 Horizontal installation

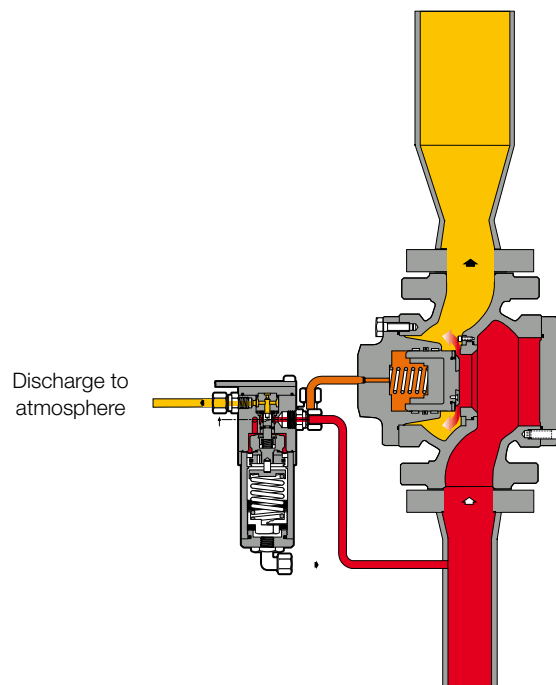


Fig.4 Vertical installation

 Inlet pressure

 Atmospheric pressure

 Motorisation pressure

 Control pressure

## Dimensions

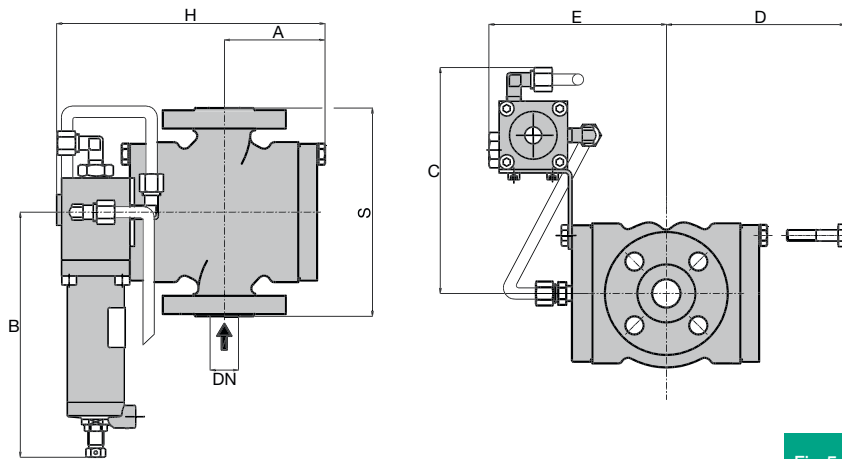


Fig.5

Diameter [mm]						
Millimetres	25	50	80	100	150	200
Inches	1"	2"	3"	4"	6"	8"
<b>S - Ansi 150/Pn16</b>	183	258	298	352	451	543
<b>S - Ansi 300</b>	197	267	317	368	473	568
<b>S - Ansi 600</b>	210	286	336	394	508	609
<b>A</b>	95	125	145	180	240	285
<b>B</b>	220	220	220	220	220	220
<b>C</b>	196	214	232	250	278	375
<b>D</b>	110	150	170	215	270	315
<b>E</b>	190	220	240	275	335	380
<b>H</b>	340	370	390	425	485	530

Tab.2

Dimension S according to EN 334 and IEC 534-3

Weights [ kg ]						
<b>Ansi 150/Pn16</b>	18	32	50	86	175	265
<b>Ansi 300</b>	19	34	54	91	185	280
<b>Ansi 600</b>	20	36	58	100	207	375

Tab.3

[www.fiorentini.com](http://www.fiorentini.com)

The data are not binding. We reserve the right to make changes without prior notice.

CT-s 509-E\_May 20

