

# Dival 600

Medium - Low Pressure Gas Regulator



**TECHNICAL BROCHURE**

---

**Pietro Fiorentini USA Inc.**

606 Park Drive | Weirton, WV 26062, United States of America | +1 304 232 9115  
fio.westvirginia@fiorentini.com

**Pietro Fiorentini S.p.A.**

Via E.Fermi, 8/10 | 36057 Arcugnano, Italy | +39 0444 968 511  
sales@fiorentini.com

The data is not binding. We reserve the right  
to make changes without prior notice.

dival600\_technicalbrochure\_USA\_revC

# Who we are

We are a global organization that specializes in designing and manufacturing technologically advanced solutions for natural gas treatment, transmission and distribution systems.

We are the ideal partner for operators in the Oil & Gas sector, with a business solutions that span the whole natural gas chain.

We are constantly evolving to meet our customers' highest expectations in terms of quality and reliability.

Our aim is to be a step ahead of the competition, with customized technologies and an after-sale service program undertaken with the highest level of professionalism.



## Pietro Fiorentini advantages



Localized technical support

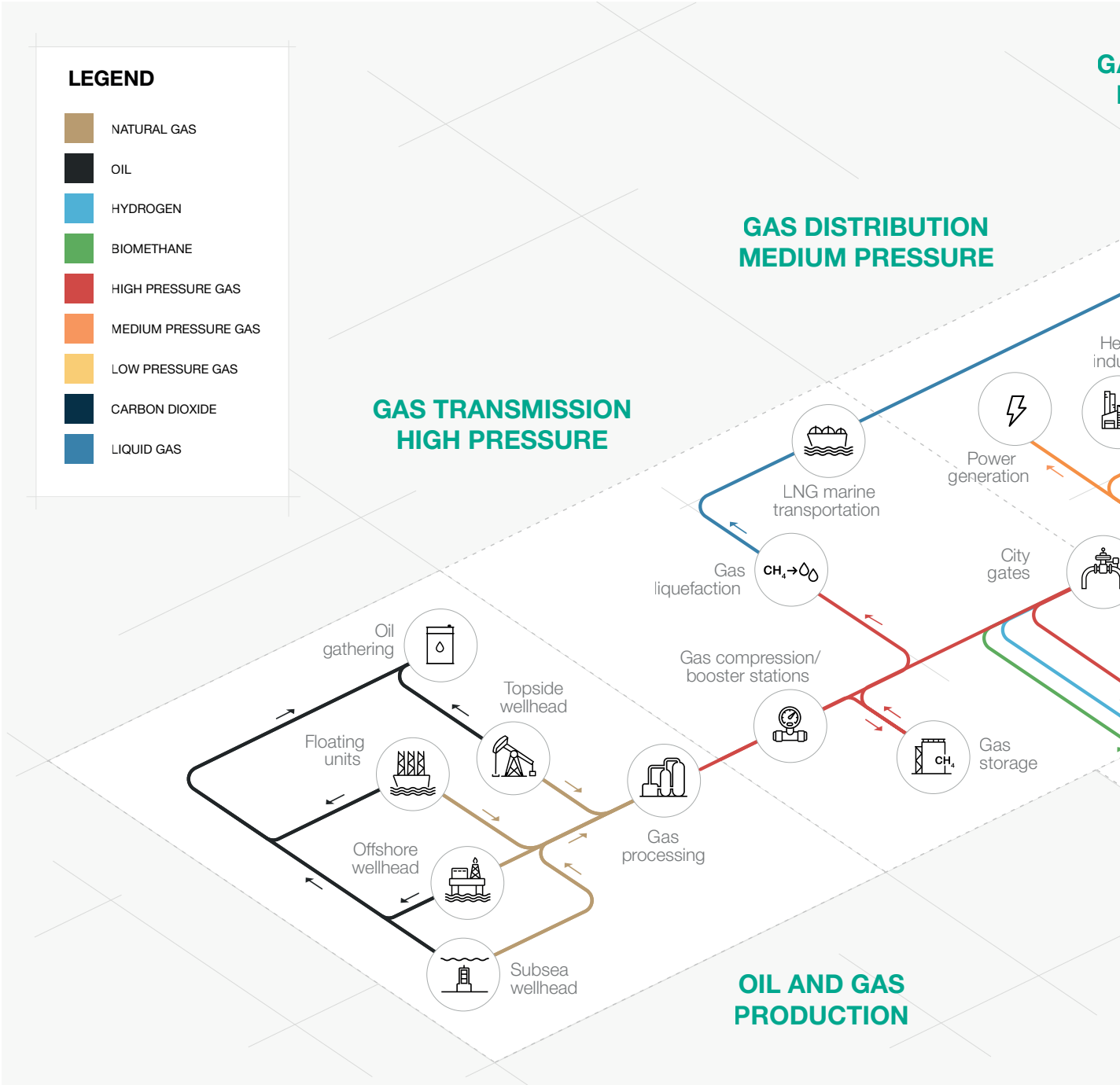


Experience since 1940



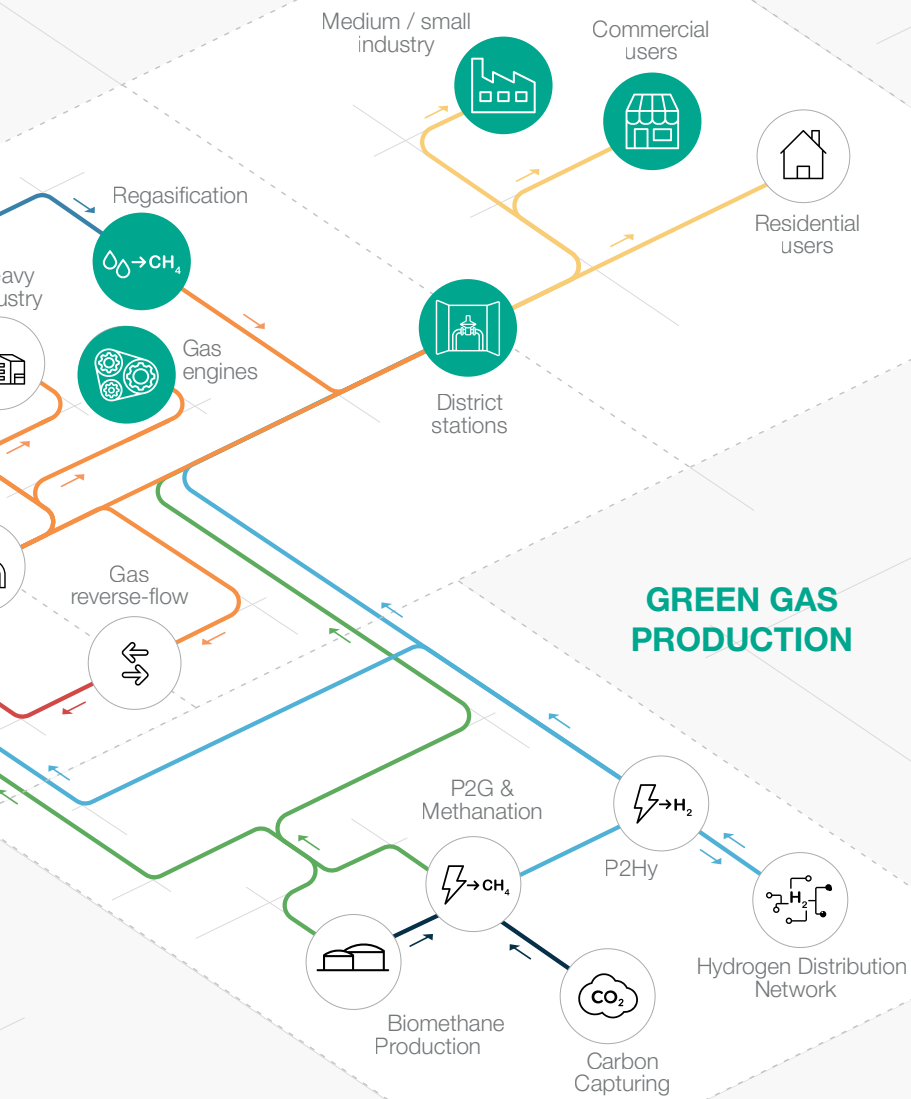
Operating in over 100 countries

# Area of Application



 Green icon indicates the application where this product is suitable for

## AS DISTRIBUTION LOW PRESSURE



# Introduction

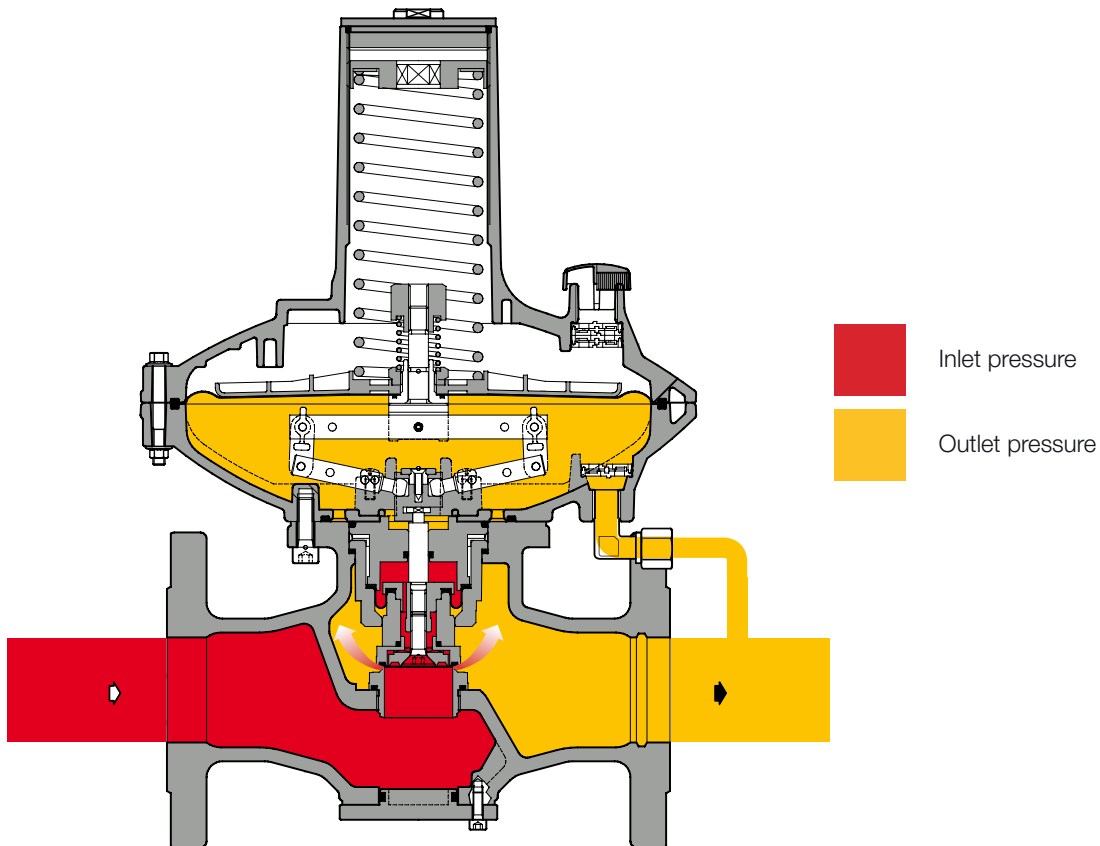
**Dival 600** is part of Pietro Fiorentini's range of **direct-acting gas pressure regulators** with diaphragm control and spring contrast.

Mainly used in medium and low pressure natural gas distribution networks, it is also widely used for commercial and industrial installations.

The Dival 600 can be used with pretreated non-corrosive gaseous fluids.

It is classified as **Fail Open** according to the European Standard EN 334.

Dival 600 is **Hydrogen Ready** for GN-H2 mixtures.



**Figure 1** Dival 600

# Description and Calibration interval

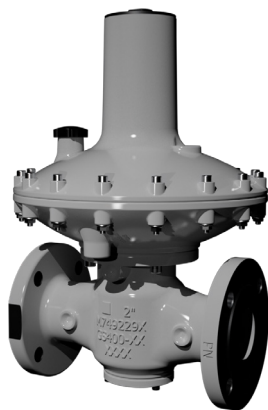
**Dival 600** is a **direct-operated pressure regulator** that provides extremely accurate control of the outlet pressure.

The features of the Dival 600 series regulator make it suitable for any application.

The fast response time makes them optimal for industrial applications where sudden changes in flow rate may occur; the accuracy of regulation in the event of changes in inlet pressure also makes the Dival 600 series regulators an excellent product for civil gas distribution systems.

The design of the **Dival 600** regulator allows for easy installation in all the inlet and outlet pipe positions that the field conditions may have.

The modular design of the **Dival 600** pressure regulator allows the blocking device or the device for use as an 'inline monitor' to be attached to the same regulator body without changing the gauge.









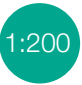



**Figure 2** Dival 600



**Figure 3** Dival 600 with LA

## Dival 600 competitive advantages

-  Balanced type
-  IRV token
-  Operates with low differential pressure
-  Top Entry
-  High precision
-  Easy maintenance
-  Fail Open Regulator
-  Built-in accessories
-  High turn-down ratio
-  Compatible with biomethane and blended hydrogen up to 20%. Higher mixtures available on request

## Features

Features	Values
Design pressure* (PS <sup>1</sup> / DP <sup>2</sup> )	up to 2 MPa up to 290 psi
Ambient temperature* (TS <sup>1</sup> )**	from -20°C to + 60°C from -4 °F to +140 °F
Inlet gas temperature* ,***	from -20°C to + 60°C from -4 °F to +140 °F
Inlet pressure (MAOP / p <sub>umax</sub> <sup>1</sup> )	from (Pd + 0.01) MPa to 2 MPa from (Pd + 1.45) psi to 290 psi
Range of downstream pressure (Wd <sup>1</sup> )	from 1.2 KPa to 420 KPa from 0.18 psi to 60.9 psi
Available accessories	LA slam shut, built-in silencer, monitor version, overflow
Minimum operating differential pressure (Δp <sub>min</sub> <sup>1</sup> )	0.01 MPa   1.45 psi
Accuracy class (AC <sup>1</sup> )	up to 5   up to 1% absolute (depending on working conditions)
Lock-up pressure class (SG <sup>1</sup> )	up to 10 (depending on version and set point)
Nominal size (DN <sup>1,2</sup> )	DN 25   1"; DN 40   1" 1/2; DN 50   2";
Connections	<ul style="list-style-type: none"> <li>• Flanged: class 150 RF according to ASME B16.5 and ASME B16.42</li> <li>• ANSI Class 125 FF according to ASME B16.1, PN16/25 according to ISO 7005-1 and ISO 7005-2</li> <li>• Threaded: Rp EN 10226-1, NPT ASME B1.20.1 (only size DN50   2")</li> </ul>

(<sup>1</sup>) according to EN334 standard

(<sup>2</sup>) according to ISO 23555-1 standard

(\*) NOTE: Different functional features and/or extended temperature ranges may be available on request. Stated inlet gas temperature range is the maximum for which the equipment's full performance, including accuracy is guaranteed. Product may have a different pressure or temperature ranges according to the version and/or installed accessories.

(\*\*) NOTE: Stated temperature range is the operating range for which the equipment's mechanical resistance and leakage rate are guaranteed. Some body materials, if multiple choices are available, may not be suitable for all the available versions shown.

(\*\*\*) NOTE: Stated temperature range is the range for which the equipment's full performance, including accuracy and lock-up are guaranteed. Some body materials, if multiple choices are available, may not be suitable for all the available versions shown.

**Table 1** Features



# Materials and Approvals

Part	Material
Equipment body	Cast iron GS 400-18 ISO 1083 Steel ASTM A216 WCB
Cover	Aluminum
Seat	Brass
Diaphragm	Canvas rubber
O-rings	Nitrile rubber

**NOTES:** the materials indicated above refer to the standard models. Different materials can be provided according to specific needs.

**Table 2** Materials

## Construction Standards and Approvals

The **Dival 600** regulator is designed according to European standard EN 334. The regulator reacts in opening (Fail Open) according to EN 334.

The product is certified according to European Directive 2014/68/EU (PED). Leakage class: bubble tight, better than class VIII according to ANSI/FCI 70-3.



EN 334



PED-CE



# Maximum permissible operating pressures

Design pressures ( $p_s$ according to EN334)				
Version	Body		Slam-shut valve	
	MPa	psig	MPa	psig
PN16-25 Steel body	2.00	290	2.00	290
PN16-25 Cast iron body	2.00	290	2.00	290
#150 Steel body	1.89	275	2.00	290
#150 Cast iron body	1.70	246	2.00	290
Cast-iron threaded body	2.00	290	2.00	290

**Table 3** Design pressures bodies and block valves

Design pressures ( $p_s$ according to EN334)				
Component	Head			
	BP/MP		TR	
	MPa	psig	MPa	psig
Cover	2.00	290	2.00	290
Diaphragm	0.07	10.15	0.88	127
Maximum $\Delta p$ on the membrane	0.04	5.80	0.58	84.12

**Table 4** Design pressures tested

MAOP maximum permissible operating pressure ( $p_{umax}$ according to EN334)					
	Version	Head			
		BP/MP		TR	
		MPa	psig	MPa	psig
With / Without CE Marking	PN16-25 (all body materials)	2.00	290	2.00	290
	#150 Steel body	1.89	275	1.89	275
	#150 Cast iron body	1.70	246	1.70	246
	PN16-25 (all body materials) + slam shut	2.00	290	2.00	290
	#150 Steel body + slam shut	1.89	275	1.89	275
	#150 Cast iron body + slam shut	1.70	246	1.70	246
	Cast iron threaded body	2.00	290	2.00	290
	Cast iron threaded body + slam shut	2.00	290	2.00	290

**Table 5** MAOP maximum permissible operating pressure with/without CE marking

# Spring ranges and headers

Header pressure ranges					
		Head BP	Head MP	Head TR	Web link spring table
Model	DN				
Dival 600	1"	1.2 - 34 kPa 4.8"w.c. - 4.9 psig	-	30 - 420 kPa 4.35 - 60.91 psig	<a href="#">TT 1393</a>
Dival 600	1-1/2" - 2"	1.2 - 8.5 kPa 4.8"w.c. - 1.2 psig	8 - 34 kPa 1.16 - 4.93 psig	30 - 420 kPa 4.35 - 60.91 psig	<a href="#">TT 1393</a>

**Table 7** Control heads calibration range

General link to the calibration tables: [PRESS HERE](#) or use the QR code:



DIVAL 600 DN 25-32							
Spring part number	Spring color	d	Lo	De	Spring range ("w.c.)		
					Min.	Max.	
US2701345	Yellow	3.5	180	65	4.7	6.6	
US2701620	Orange	4	180	65	6.6	11.1	
US2701860	Red	4.5	180	65	11.1	18.0	
US2702190	Green	5	180	65	18.0	28.0	
Spring part number	Spring color	d	Lo	De	Spring range (psig)		
					Min.	Max.	
US2702370	Black	5.5	180	65	1.0	1.6	
US2702540	Blue	6	180	65	1.6	2.4	
US2702730	Light blue	6.5	180	65	2.4	3.7	
US2702950	Brown	7	180	65	3.7	4.9	

**d** = Wire Diameter (mm)   **Lo** = Spring Length (mm)   **De** = External Diameter (mm)

**Table 6** TT 1393 - DIVAL 600 DN 25-32 setting springs



DIVAL 600 DN 25-32 (UPSIDE-DOWN)							
Spring part number	Spring color	d	Lo	De	Spring range ("w.c.)		
					Min.	Max.	
US2701345	Yellow	3.5	180	65	3.6	5.0	
US2701620	Orange	4	180	65	5.0	10.0	
US2701860	Red	4.5	180	65	10.0	16.3	
US2702190	Green	5	180	65	16.3	26.0	
US2702370	Black	5.5	180	65	26.0	44.1	
Spring part number	Spring color	d	Lo	De	Spring range (psig)		
					Min.	Max.	
US2702540	Blue	6	180	65	1.6	2.3	
US2702730	Light blue	6.5	180	65	2.3	3.7	
US2702950	Brown	7	180	65	3.7	4.9	

**d** = Wire Diameter (mm)   **Lo** = Spring Length (mm)   **De** = External Diameter (mm)

**Table 8** TT 1393 - DIVAL 600 25-32 (UPSIDE-DOWN) setting springs

DIVAL 600 DN 40-50 BP							
Spring part number	Spring color	d	Lo	De	Spring range ("w.c.)		
					Min.	Max.	
US2701345	Yellow	3.5	180	65	4.7	6.6	
US2701620	Orange	4	180	65	6.6	11.1	
US2701860	Red	4.5	180	65	11.1	18.0	
US2702190	Green	5	180	65	18.0	28.0	
Spring part number	Spring color	d	Lo	De	Spring range (psig)		
					Min.	Max.	
US2702370	Black	5.5	180	65	1.0	1.2	

**d** = Wire Diameter (mm)   **Lo** = Spring Length (mm)   **De** = External Diameter (mm)

**Table 9** TT 1393 - DIVAL 600 DN 40-50 BP setting springs

DIVAL 600 DN 40-50 BP (UPSIDE-DOWN)							
Spring part number	Spring color	d	Lo	De	Spring range ("w.c.)		
					Min.	Max.	
US2701345	Yellow	3.5	180	65	3.6	5.0	
US2701620	Orange	4	180	65	5.0	9.4	
US2701860	Red	4.5	180	65	9.4	16.3	
US2702190	Green	5	180	65	16.3	26.0	
US2702370	Black	5.5	180	65	26.0	34.1	

**d** = Wire Diameter (mm)   **Lo** = Spring Length (mm)   **De** = External Diameter (mm)

**Table 10** TT 1393 - DIVAL 600 DN 40-50 BP (UPSIDE-DOWN) setting springs

**DIVAL 600 DN 40-50 MP**

Spring part number	Spring color	d	Lo	De	Spring range (psig)	
					Min.	Max.
US2702370	Black	5.5	180	65	1.1	1.6
US2702540	Blue	6	180	65	1.6	2.4
US2702730	Light blue	6.5	180	65	2.4	3.7
US2702950	Brown	7	180	65	3.7	4.9

**d** = Wire Diameter (mm)   **Lo** = Spring Length (mm)   **De** = External Diameter (mm)

**Table 11** TT 1393 - DIVAL 600 DN 40-50 MP setting springs

**DIVAL 600 DN 40-50 MP (UPSIDE-DOWN)**

Spring part number	Spring color	d	Lo	De	Spring range (psig)	
					Min.	Max.
US2702370	Black	5.5	180	65	1.1	1.6
US2702540	Blue	6	180	65	1.6	2.4
US2702730	Light blue	6.5	180	65	2.4	3.8
US2702950	Brown	7	180	65	3.8	4.9

**d** = Wire Diameter (mm)   **Lo** = Spring Length (mm)   **De** = External Diameter (mm)

**Table 12** TT 1393 - DIVAL 600 DN 40-50 MP (UPSIDE-DOWN) setting springs

**DIVAL 600 TR**

Spring part number	Spring color	d	Lo	De	Spring range (psig)	
					Min.	Max.
US2702940	Light blue	7	150	65	4.3	9.4
US2703125	White/Yellow	7.5	150	65	9.4	13.3
US2703325	White/Orange	8	150	65	13.3	16.7
US2703685	White/Green	9	150	65	16.7	31.9
US2704180	White/Black	10.5	147	65	31.9	60.9

**d** = Wire Diameter (mm)   **Lo** = Spring Length (mm)   **De** = External Diameter (mm)

**Table 13** TT 1393 - DIVAL 600 TR setting springs

**DIVAL 600 TR (UPSIDE-DOWN)**

Spring part number	Spring color	d	Lo	De	Spring range (psig)	
					Min.	Max.
US						
US						
US						
US						
US						

**d** = Wire Diameter (mm)   **Lo** = Spring Length (mm)   **De** = External Diameter (mm)

**Table 14** TT 1393 - DIVAL 600 TR (UPSIDE-DOWN) setting springs

# Accessories

## For the pressure regulator:

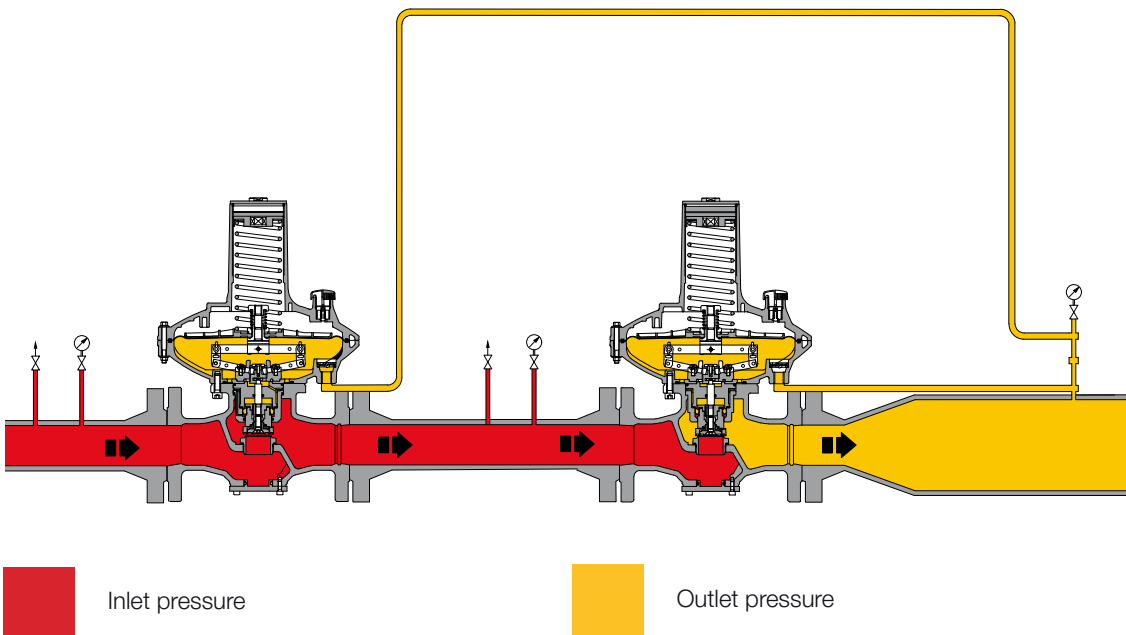
- Built-in silencer
- Slam-shut valve
- Monitor version

## In-line Monitor

The **in-line monitor** is generally installed **upstream** of the active regulator.

Although the function of the monitor regulator is different, the two regulators are virtually identical from the point of view of their mechanical components. The only difference is that monitor is set at a higher pressure than active regulator.

The **Dival 600** with inline monitor function is a controller with a modified balancing assembly compared to the normal controller. This modification ensures a higher precision of the regulated pressure and thus an equally precise switching value without the danger of interference with the main regulator.



**Figure 4** Dival 600 with in line Monitor function

## Built-in silencer

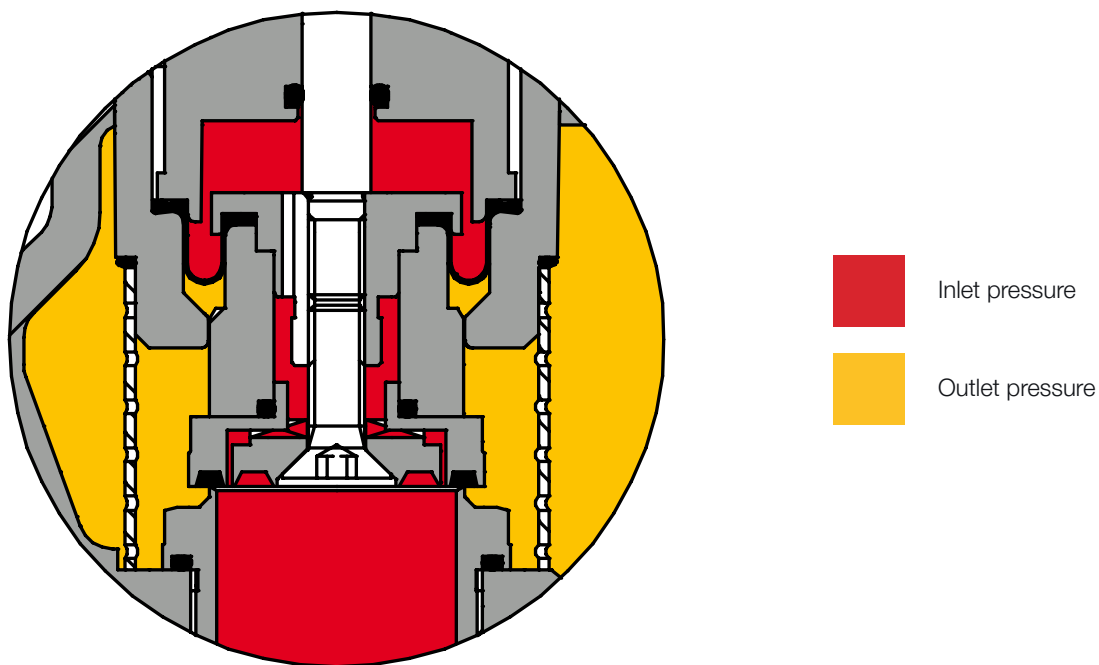
Whenever certain noise limit is desired, an additional silencer allows to considerably reduce the noise level (dBA).

The Dival 600 pressure regulator can be supplied with an **incorporated silencer** in either the standard version or version with slam shut.

The high efficiency noise absorption takes place at the point where the noise is generated, thus preventing its propagation.

Given the modular arrangement of the regulator, the silencer may be retrofitted to both standard Dival 600 version as well as those with incorporated slam shut or monitor, **without the need to modify the main piping.**

Pressure reduction and control operate the same manner as standard version.











**Figure 5** Dival 600 with incorporated silencer

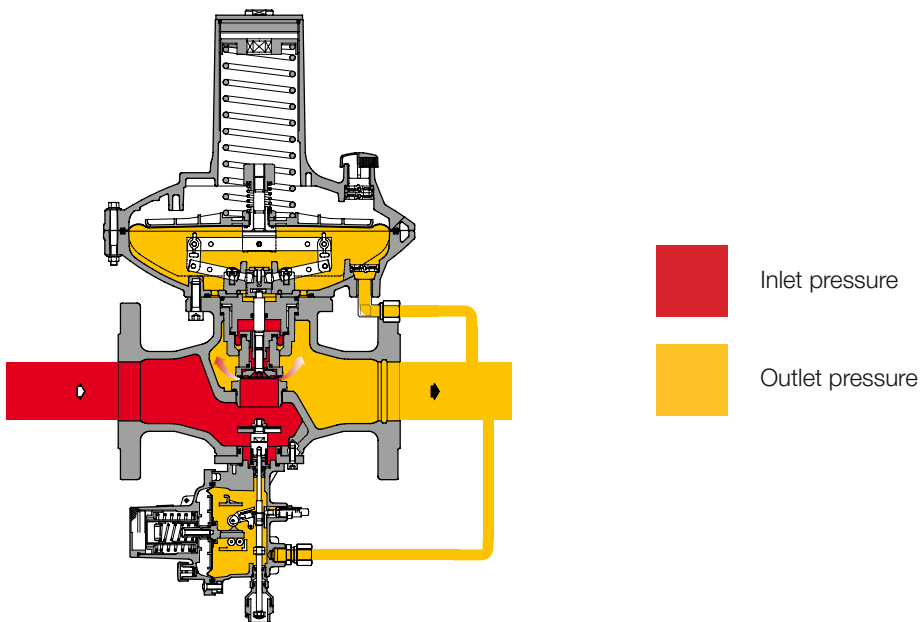
## Slam Shut LA

The Dival 600 pressure regulator offers the possibility of installing an incorporated LA slam shut valve and this can be done either during the manufacturing process or later in the field.

LA is available for all sizes.

The main characteristics of this device are:

-  Over Pressure Shut-Off
-  Under Pressure Shut-Off
-  Internal by-pass
-  Push button for tripping test
-  Compact dimensions
-  Easy maintenance
-  Remote tripping option
-  Limit switch option



**Figure 6** Dival 600 with LA slam shut valve



Pressure switch types and ranges					
SSV model	Type	Operation	Range Wh		Spring Table web link
			kPa	psig	
LA	BP	OPSO	3 - 18	0.43 - 2.61	<a href="#">TT 00214</a>
		UPSO	0.6 - 6	0.087 - 0.87	
LA	MP	OPSO	14 - 45	2.03 - 6.52	<a href="#">TT 00214</a>
		UPSO	1 - 24	0.14 - 3.48	
LA	TR	OPSO	25 - 550	3.62 - 79.77	<a href="#">TT 00214</a>
		UPSO	10 - 350	1.45 - 50.76	

**Table 15** Settings table

Shut-off device model LA performance	
Worker set point	Minimum suggested set-point
1.7 kPa 7" w.c.	3.7 kPa 15" w.c.
13.7 kPa 2 psig	20.6 kPa 3 psig
34.4 kPa 5 psig	48.2 kPa 7 psig
68.9 kPa 10 psig	89.6 kPa 13 psig

Please see PF monitor and accessory setting sheet for precise settings.

**Table 16** Recommended slam shut settings

## Medium - Low Pressure Gas Regulator



LA/BP "OPSO"						
Spring part number	Spring color	d	Lo	De	Spring range ("w.c.)	
					Min.	Max.
US64470112RO	Red	2.2	44	34	11.9	19.9
US64470115GR	Grey	2.8	42	34	19.9	72.3

**d** = Wire Diameter (mm)   **Lo** = Spring Length (mm)   **De** = External Diameter (mm)

**Table 17** TT 002014 - LA/BP "OPSO" setting springs

LA/BP "UPS0"						
Spring part number	Spring color	d	Lo	De	Spring range ("w.c.)	
					Min.	Max.
US64470024BI	White	1.3	45	15	2.2	24.1

**d** = Wire Diameter (mm)   **Lo** = Spring Length (mm)   **De** = External Diameter (mm)

**Table 18** TT 002014 - LA/BP "UPS0" setting springs

LA/MP "OPSO"						
Spring part number	Spring color	d	Lo	De	Spring range (psig)	
					Min.	Max.
US64470115GR	Grey	2.8	42	34	2.0	2.6
US64470116GI	Yellow	3.2	40	34	2.6	4.0
US64470051BI	White	3.2	50	34	4.0	6.5

**d** = Wire Diameter (mm)   **Lo** = Spring Length (mm)   **De** = External Diameter (mm)

**Table 19** TT 002014 - LA/MP "OPSO" setting springs

LA/MP "UPS0"						
Spring part number	Spring color	d	Lo	De	Spring range ("w.c.)	
					Min.	Max.
US64470024BI	White	1.3	45	15	3.9	24.0
US64470038GI	Yellow	2	40	15	24.0	96.4

**d** = Wire Diameter (mm)   **Lo** = Spring Length (mm)   **De** = External Diameter (mm)

**Table 20** TT 002014 - LA/MP "UPS0" setting springs

LA/TR "OPSO"							
Spring part number	Spring color	d	Lo	De	Spring range (psig)		
					Min.	Max.	
US64470116GI	Yellow	3.2	40	34	3.6	7.9	
US64470051BI	White	3.2	50	34	7.9	12.3	
US64470057BL	Blue	3.5	50	34	12.3	20.3	
US64470058AR	Orange	4	50	34	20.3	36.2	
US64470059AZ	Light blue	4.5	50	34	36.2	58.0	
US64470060NE	Black	5	48	34	58.0	79.7	

**d** = Wire Diameter (mm)   **Lo** = Spring Length (mm)   **De** = External Diameter (mm)

**Table 21** TT 002014 - LA/TR "OPSO" setting springs

LA/TR "UPSO"							
Spring part number	Spring color	d	Lo	De	Spring range (psig)		
					Min.	Max.	
US64470038GI	Yellow	2	40	15	1.4	7.2	
US64470045MA	Brown	2.4	41	15.3	7.2	14.5	
US64470046BL	Blue	3	40	15	14.5	29.0	
US64470149NE	Black	3.2	43	15	29.0	50.7	

**d** = Wire Diameter (mm)   **Lo** = Spring Length (mm)   **De** = External Diameter (mm)

**Table 22** TT 002014 - LA/TR "UPSO"

General link to the calibration tables: [PRESS HERE](#) or use the QR code:





# Weights and Dimensions

## Dival 600

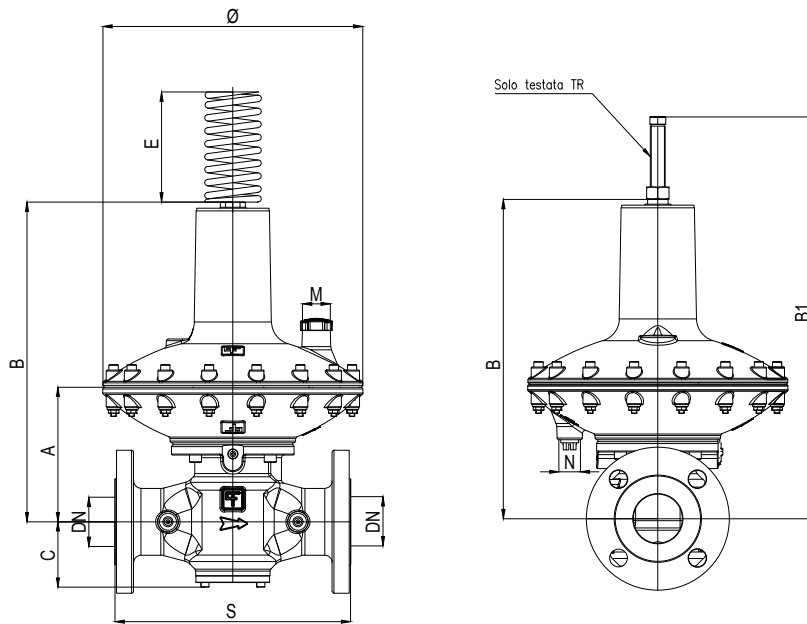
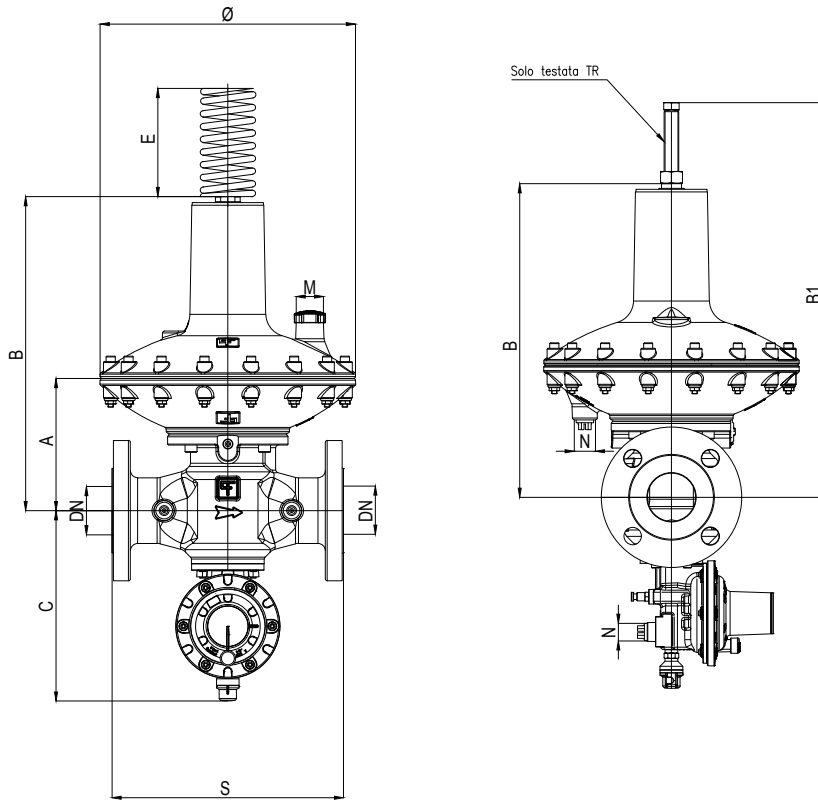


Figure 7 Dival 600 dimensions

Weights and Dimensions (for other connections please contact your closest Pietro Fiorentini representative)								
Nominal diameter [mm]	25		40		50		G 2"	
Size [inches]	1"		1" 1/2		2"		2" NPT	
	[mm]	inches	[mm]	inches	[mm]	inches	[mm]	inches
S	183	7.2"	222	8.7"	254	10"	152.4	6"
Ø	280	11.0"	280	11.0"	280	11.0"	280	11.0"
A	145	5.7"	145	5.7"	145	5.7"	145	5.7"
B	346	13.6"	346	13.6"	346	13.6"	346	13.6"
B1	472	18.6"	472	18.6"	472	18.6"	472	18.6"
C	65	2.56	70	2.8"	70	2.8"	70	2.8"
E	180	7.1"	180	7.1"	180	7.1"	180	7.1"
M	Rp 1/2"		Rp 1/2"		Rp 1/2"		Rp 1/2"	
N	Rp 1/4"		Rp 1/4"		Rp 1/4"		Rp 1/4"	
Connecting pneumatic connections	eØ 10 x Ø 8 (on request imperial sizing)							
Weight	Kg	lbs	Kg	lbs	Kg	lbs	Kg	lbs
Dival 600	14	30.9	17.5	38.6	18.5	40.8	13.8	30.4

Table 23 Weights and dimensions

## Dival 600 + LA



**Figure 8** Dival 600 dimensions + LA

Weights and Dimensions (for other connections please contact your closest Pietro Fiorentini representative)								
Nominal diameter [mm]	25		40		50		G 2"	
Size [inches]	1"		1 1/2"		2"		2" NPT	
	[mm]	inches	[mm]	inches	[mm]	inches	[mm]	inches
S	183	7.2"	222	8.7"	254	10"	152.4	6"
Ø	280	11.0"	280	11.0"	280	11.0"	280	11.0"
A	145	5.7"	145	5.7"	145	5.7"	145	5.7"
B	346	13.6"	346	13.6"	346	13.6"	346	13.6"
B1	472	18.6"	472	18.6"	472	18.6"	472	18.6"
C	198	7.8"	210	8.3"	210	8.3"	210	8.3"
E	180	7.1"	180	7.1"	180	7.1"	180	7.1"
M	Rp 1/2"		Rp 1/2"		Rp 1/2"		Rp 1/2"	
N	Rp 1/4"		Rp 1/4"		Rp 1/4"		Rp 1/4"	
Connecting pneumatic connections	eØ 10 x iØ 8 (on request imperial sizing)							
Weight	Kg	lbs	Kg	lbs	Kg	lbs	Kg	lbs
Dival 600 + LA	14.8	32.6	18.5	40.8	19.5	43	14.8	32.6

**Table 24** Weights and dimensions



# Sizing and Cg

In general, the choice of a regulator is made based on the calculation of the flow rate determined by the use of formulae using the flow rate coefficients (Cg) and the form factor (K1) as indicated by the EN 334 standard. Sizing available through Pietro Fiorentini's online sizing programme.

Flow rate coefficient						
	Ø280 BP / MP			Ø280 TR		
Diameter	25	40	50	25	40	50
Inches	1"	1" 1/2	2"	1"	1" 1/2	2"
Cg	267	698	818	311	749	811
K1	94	94	86	97	95	97

**REMARK:** For safety relief valve sizing it is required to use the Cg values of this table regardless the accessories installed on the regulator. As per EN334 Cg value acceptance criteria these values may vary up to 10% which we recommend considering during the sizing process.

**Table 25** Flow rate coefficient

For sizing [PRESS HERE](#) or use the QR code:



**Note:** In case you do not have the proper credentials to access, feel free to contact your closest Pietro Fiorentini representative.

In general the online sizing considers multiple variables as the regulator is installed in a system, enabling a better and multiperspective approach to the sizing.

For different gases, and for natural gas with a different relative density other than 0.61 (compared to air), the correction coefficients from the following formula shall be applied:

$$F_c = \sqrt{\frac{175.8}{S \times (273.16 + T)}}$$

S = relative density (refer to Table 26)  
T = gas temperature ( °C )

$$F_c = \sqrt{\frac{316.44}{S \times (459.67 + T)}}$$

S = relative density (refer to Table 26)  
T = gas temperature ( °F )

Correction Factor Fc		
Gas type	Relative Density S	Correction Factor Fc
Air	1.00	0.78
Propane	1.53	0.63
Butane	2.00	0.55
Nitrogen	0.97	0.79
Oxygen	1.14	0,73
Carbon dioxide	1.52	0.63

Note: the table shows the Fc correction factors valid for Gas, calculated at a temperature of 15°C and at the declared relative density.

**Table 26** Correction Factor Fc

Flow rate conversion
Stm <sup>3</sup> /h x 0.94795 = Nm <sup>3</sup> /h

Nm<sup>3</sup>/h Reference conditions:  
 T= 0 °C; P= 1 bar(a) | T= 32 °F; P= 14.5 psi(a)  
 Stm<sup>3</sup>/h Reference conditions:  
 T= 15 °C; P= 1 bar(a) | T= 59 °F; P= 14.5 psi(a)

**Table 27** Flow rate conversion

**CAUTION:**

In order to get optimal performance, to avoid premature erosion phenomena and to limit noise emissions, it is recommended to check the gas speed and its compliance with local practice and regulations. The gas speed at the outlet flange may be calculated by means of the following formula:

$$V = 345.92 \times \frac{Q}{DN^2} \times \frac{1 - 0.002 \times Pd}{1 + Pd}$$

$$V = 0.0498 \times \frac{Q}{DN^2} \times \frac{14.504 - 0.002 \times Pd}{14.504 + Pd}$$

V = gas speed in m/s  
 Q = gas flow rate in Stm<sup>3</sup>/h  
 DN = nominal size of regular in mm  
 Pd = outlet pressure in barg

V = gas speed in ft/s  
 Q = gas flow rate in Scfh  
 DN = nominal size of regular in inches  
 Pd = outlet pressure in psi



# Flow rate tables

## Dival 600 BP - DN 1" - AC10

From 1.2 kPa [4.8"w.c.] to 34 kPa [4.9 psig]

Dival 600 BP - (accuracy 10% ; AC10 according to EN334)

Input pressure		Output pressure									
		1.7 kPa   0.25 psig		3.4 kPa   0.5 psig		6.9 kPa   1 psig		13.8 kPa   2 psig		27.6 kPa   4 psig	
kPa	psig	Stm <sup>3</sup> /h	Scfh	Stm <sup>3</sup> /h	Scfh	Stm <sup>3</sup> /h	Scfh	Stm <sup>3</sup> /h	Scfh	Stm <sup>3</sup> /h	Scfh
14	2	70	2500	75	2700	-	-	-	-	-	-
34	5	125	4500	130	4600	130	4600	110	3900	-	-
103	15	255	9100	275	9800	280	9900	265	9400	245	8700
207	30	420	14900	445	15800	435	15400	450	15900	430	15200
414	60	570	20200	620	21900	595	21100	610	21600	610	21600
862	125	820	29000	840	29700	765	27100	695	24600	770	27200
1724	250	430	15200	590	20900	745	26400	690	24400	765	27100

Cg = 267    K1= 94

**Table 28** Dival 600 BP flow rates at outlet pressure from 1.2 kPa [4.8"w.c.] to 34 kPa [4.9 psig]

## Dival 600 BP - DN 1" - AC20

From 1.2 kPa [4.8"w.c.] to 34 kPa [4.9 psig]

Dival 600 BP - (accuracy 20% ; AC20 according to EN334)

Input pressure		Output pressure									
		1.7 kPa   0.25 psig		3.4 kPa   0.5 psig		6.9 kPa   1 psig		13.8 kPa   2 psig		27.6 kPa   4 psig	
kPa	psig	Stm <sup>3</sup> /h	Scfh	Stm <sup>3</sup> /h	Scfh	Stm <sup>3</sup> /h	Scfh	Stm <sup>3</sup> /h	Scfh	Stm <sup>3</sup> /h	Scfh
14	2	70	2500	75	2700	-	-	-	-	-	-
34	5	125	4500	130	4600	130	4600	110	3900	-	-
103	15	255	9100	275	9800	280	9900	265	9400	245	8700
207	30	425	15100	450	15900	435	15400	450	15900	430	15200
414	60	700	24800	690	24400	595	21100	610	21600	610	21600
862	125	1050	37100	965	34100	765	27100	695	24600	770	27200
1724	250	1140	40300	985	34800	745	26400	690	24400	765	27100

Cg = 267    K1= 94

**Table 29** Dival 600 BP flow rates at outlet pressure from 1.2 kPa [4.8"w.c.] to 34 kPa [4.9 psig]

**Note:** Recommended max flow rate are considering multiple factors such as: extend the regulator's life, mitigate the erosion/vibrations for high velocity and to minimize the noise emission.

**Remark:** all capacity stated are considering a stand alone regulator. In case of incorporated accessories a reduction of flow shall be considered.



## Dival 600 BP - DN 1-1/2" - AC10

From 1.2 kPa [4.8" w.c.] to 8.5 kPa [1.23 psig]

**Dival 600 BP** - (accuracy 10% ; AC10 according to EN334)

Input pressure		Output pressure									
		1.5 kPa   6 " w.c.		1.7 kPa   7 " w.c.		2 kPa   8 " w.c.		3.5 kPa   14 " w.c.		7 kPa   28 " w.c.	
kPa	psig	Stm <sup>3</sup> /h	Scfh	Stm <sup>3</sup> /h	Scfh	Stm <sup>3</sup> /h	Scfh	Stm <sup>3</sup> /h	Scfh	Stm <sup>3</sup> /h	Scfh
14	2	165	5900	165	5900	175	6200	190	6800	-	-
34	5	255	9100	265	9400	275	9800	305	10800	300	10600
103	15	635	22500	655	23200	680	24100	685	24200	625	22100
207	30	935	33100	960	34000	1000	35400	1055	37300	1110	39200
414	60	935	33100	960	34000	995	35200	1230	43500	1505	53200
862	125	930	32900	955	33800	990	35000	1355	47900	1755	62000
1724	250	685	24200	700	24800	730	25800	1250	44200	1775	62700

Cg = 698 K1 = 94

**Table 30** Dival 600 BP flow rates at outlet pressure from 1.2 kPa [4.8" w.c.] to 8.5 kPa [1.23 psig]

## Dival 600 BP - DN 1-1/2" - AC20

From 1.2 kPa [4.8" w.c.] to 8.5 kPa [1.23 psig]

**Dival 600 BP** - (accuracy 20% ; AC20 according to EN334)

Input pressure		Output pressure									
		1.5 kPa   6 " w.c.		1.7 kPa   7 " w.c.		2 kPa   8 " w.c.		3.5 kPa   14 " w.c.		7 kPa   28 " w.c.	
kPa	psig	Stm <sup>3</sup> /h	Scfh	Stm <sup>3</sup> /h	Scfh	Stm <sup>3</sup> /h	Scfh	Stm <sup>3</sup> /h	Scfh	Stm <sup>3</sup> /h	Scfh
14	2	205	7300	215	7600	230	8200	215	7600	-	-
34	5	340	12100	350	12400	365	12900	350	12400	340	12100
103	15	645	22800	660	23400	685	24200	685	24200	680	24100
207	30	1035	36600	1065	37700	1105	39100	1110	39200	1110	39200
414	60	1120	39600	1150	40700	1195	42300	1330	47000	1505	53200
862	125	1115	39400	1145	40500	1190	42100	1455	51400	1755	62000
1724	250	1365	48300	1400	49500	1455	51400	1615	57100	1775	62700

Cg = 698 K1 = 94

**Table 31** Dival 600 BP flow rates at outlet pressure from 1.2 kPa [4.8" w.c.] to 8.5 kPa [1.23 psig]

**Note:** Recommended max flow rate are considering multiple factors such as: extend the regulator's life, mitigate the erosion/vibrations for high velocity and to minimize the noise emission.

**Remark:** all capacity stated are considering a stand alone regulator. In case of incorporated accessories a reduction of flow shall be considered.



## Dival 600 BP - DN 2" - AC10

From 2 kPa [8" w.c.] to 8.5 kPa [1.23 psig]

Dival 600 BP - (accuracy 10% ; AC10 according to EN334)

Input pressure		Output pressure									
		1.5 kPa   6 " w.c.		1.7 kPa   7 " w.c.		2 kPa   8 " w.c.		3.5 kPa   14 " w.c.		8.5 kPa / 1.23 psig	
kPa	psig	Stm³/h	Scfh	Stm³/h	Scfh	Stm³/h	Scfh	Stm³/h	Scfh	Stm³/h	Scfh
14	2	180	6400	185	6600	190	6800	175	6200	-	-
34	5	370	13100	375	13300	390	13800	390	13800	370	13100
103	15	755	26700	775	27400	805	28500	780	27600	730	25800
207	30	900	31800	960	34000	1050	37100	1275	45100	1320	46700
414	60	910	32200	965	34100	1045	37000	1405	49700	1745	61700
862	125	1030	36400	1055	37300	1095	38700	1540	54400	1985	70100
1724	250	645	22800	700	24800	775	27400	1375	48600	1970	69600

Cg = 818    K1= 86

**Table 32** Dival 600 BP flow rates at outlet pressure from 2 kPa [8" w.c.] to 8.5 kPa [1.23 psig]

## Dival 600 BP - DN 2" - AC20

From 2 kPa [8" w.c.] to 8.5 kPa [1.23 psig]

Dival 600 BP - (accuracy 20% ; AC20 according to EN334)

Input pressure		Output pressure									
		1.5 kPa   6 " w.c.		1.7 kPa   7 " w.c.		2 kPa   8 " w.c.		3.5 kPa   14 " w.c.		7 kPa   28 " w.c.	
kPa	psig	Stm³/h	Scfh	Stm³/h	Scfh	Stm³/h	Scfh	Stm³/h	Scfh	Stm³/h	Scfh
14	2	225	8000	250	8900	290	10300	225	8000	-	-
34	5	390	13800	400	14200	415	14700	400	14200	370	13100
103	15	770	27200	790	27900	820	29000	790	27900	730	25800
207	30	1175	41500	1210	42800	1255	44400	1380	48800	1320	46700
414	60	1390	49100	1430	50600	1485	52500	1625	57400	1745	61700
862	125	1610	56900	1650	58300	1715	60600	1850	65400	1985	70100
1724	250	1325	46800	1395	49300	1505	53200	1735	61300	1970	69600

Cg = 818    K1= 86

**Table 33** Dival 600 BP flow rates at outlet pressure from 2 kPa [8" w.c.] to 8.5 kPa [1.23 psig]

**Note:** Recommended max flow rate are considering multiple factors such as: extend the regulator's life, mitigate the erosion/vibrations for high velocity and to minimize the noise emission.

**Remark:** all capacity stated are considering a stand alone regulator. In case of incorporated accessories a reduction of flow shall be considered.

## Dival 600 MP - DN 1-1/2" - AC10

From 8 kPa [1.2 psig] to 34 kPa [4.9 psig]

Dival 600 MP - (accuracy 10% ; AC10 according to EN334)

Input pressure		Output pressure									
		13.8 kPa   2 psig		17.2 kPa   2.5 psig		20.7 kPa   3 psig		24.1 kPa   3.5 psig		27.6 kPa   4 psig	
kPa	psig	Stm <sup>3</sup> /h	Scfh	Stm <sup>3</sup> /h	Scfh	Stm <sup>3</sup> /h	Scfh	Stm <sup>3</sup> /h	Scfh	Stm <sup>3</sup> /h	Scfh
14	2	-	-	-	-	-	-	-	-	-	-
34	5	280	9900	280	9900	295	10500	295	10500	-	-
103	15	710	25100	680	24100	640	22700	640	22700	640	22700
207	30	1110	39200	1065	37700	1015	35900	1050	37100	1085	38400
414	60	1455	51400	1430	50600	1370	48400	1370	48400	1370	48400
862	125	1720	60800	1695	59900	1630	57600	1640	58000	1645	58100
1724	250	1740	61500	1730	61100	1680	59400	1715	60600	1750	61900

Cg = 698 K1 = 94

**Table 34** Dival 600 MP flow rates at outlet pressure from 8 kPa [1.2 psig] to 34 kPa [4.9 psig]

## Dival 600 MP - DN 1-1/2" - AC20

From 8 kPa [1.2 psig] to 34 kPa [4.9 psig]

Dival 600 MP - (accuracy 20% ; AC20 according to EN334)

Input pressure		Output pressure									
		13.8 kPa   2 psig		17.2 kPa   2.5 psig		20.7 kPa   3 psig		24.1 kPa   3.5 psig		27.6 kPa   4 psig	
kPa	psig	Stm <sup>3</sup> /h	Scfh	Stm <sup>3</sup> /h	Scfh	Stm <sup>3</sup> /h	Scfh	Stm <sup>3</sup> /h	Scfh	Stm <sup>3</sup> /h	Scfh
14	2	-	-	-	-	-	-	-	-	-	-
34	5	315	11200	305	10800	295	10500	295	10500	-	-
103	15	710	25100	695	24600	665	23500	655	23200	645	22800
207	30	1110	39200	1110	39200	1105	39100	1105	39100	1105	39100
414	60	1470	52000	1430	50600	1370	48400	1370	48400	1370	48400
862	125	1720	60800	1695	59900	1630	57600	1640	58000	1645	58100
1724	250	1740	61500	1730	61100	1680	59400	1715	60600	1750	61900

Cg = 698 K1 = 94

**Table 35** Dival 600 MP flow rates at outlet pressure from 8 kPa [1.2 psig] to 34 kPa [4.9 psig]

**Note:** Recommended max flow rate are considering multiple factors such as: extend the regulator's life, mitigate the erosion/vibrations for high velocity and to minimize the noise emission.

**Remark:** all capacity stated are considering a stand alone regulator. In case of incorporated accessories a reduction of flow shall be considered.



## Dival 600 MP - DN 2" - AC10

From 8 kPa [1.2 psig] to 34 kPa [4.9 psig]

Dival 600 MP - (accuracy 10% ; AC10 according to EN334)

Input pressure		Output pressure									
		13.8 kPa   2 psig		17.2 kPa   2.5 psig		20.7 kPa   3 psig		24.1 kPa   3.5 psig		27.6 kPa   4 psig	
MPa	psig	Stm <sup>3</sup> /h	Scfh	Stm <sup>3</sup> /h	Scfh	Stm <sup>3</sup> /h	Scfh	Stm <sup>3</sup> /h	Scfh	Stm <sup>3</sup> /h	Scfh
14	2	-	-	-	-	-	-	-	-	-	-
34	5	285	10100	225	8000	180	6400	245	8700	-	-
103	15	640	22700	620	21900	620	21900	635	22500	655	23200
207	30	1205	42600	1140	40300	1045	37000	1150	40700	1255	44400
414	60	2050	72400	1965	69400	1760	62200	1900	67100	2045	72300
862	125	2455	86700	2415	85300	2315	81800	2425	85700	2535	89600
1724	250	2575	91000	2570	90800	2475	87500	2540	89700	2610	92200

Cg = 818    K1= 86

**Table 36** Dival 600 MP flow rates at outlet pressure from 8 kPa [1.2 psig] to 34 kPa [4.9 psig]

## Dival 600 MP - DN 2" - AC20

From 8 kPa [1.2 psig] to 34 kPa [4.9 psig]

Dival 600 MP - (accuracy 20% ; AC20 according to EN334)

Input pressure		Output pressure									
		13.8 kPa   2 psig		17.2 kPa   2.5 psig		20.7 kPa   3 psig		24.1 kPa   3.5 psig		27.6 kPa   4 psig	
MPa	psig	Stm <sup>3</sup> /h	Scfh	Stm <sup>3</sup> /h	Scfh	Stm <sup>3</sup> /h	Scfh	Stm <sup>3</sup> /h	Scfh	Stm <sup>3</sup> /h	Scfh
14	2	-	-	-	-	-	-	-	-	-	-
34	5	285	10100	225	8000	180	6400	245	8700	-	-
103	15	640	22700	645	22800	670	23700	670	23700	670	23700
207	30	1205	42600	1180	41700	1140	40300	1210	42800	1280	45300
414	60	2095	74000	2000	70700	1840	65000	1955	69100	2065	73000
862	125	2455	86700	2415	85300	2315	81800	2425	85700	2535	89600
1724	250	2575	91000	2570	90800	2475	87500	2540	89700	2610	92200

Cg = 818    K1= 86

**Table 37** Dival 600 MP flow rates at outlet pressure from 8 kPa [1.2 psig] to 34 kPa [4.9 psig]

**Note:** Recommended max flow rate are considering multiple factors such as: extend the regulator's life, mitigate the erosion/vibrations for high velocity and to minimize the noise emission.

**Remark:** all capacity stated are considering a stand alone regulator. In case of incorporated accessories a reduction of flow shall be considered.

## Dival 600 TR - DN 1" - AC10

From 30 kPa [4.3 psig] to 420 kPa [60.9 psig]

Dival 600 TR - (accuracy 10% ; AC10 according to EN334)

Input pressure		Output pressure									
		34.5 kPa   5 psig		68.9 kPa   10 psig		137.9 kPa   20 psig		206.8 kPa   30 psig		413.7 kPa   60 psig	
MPa	psig	Stm <sup>3</sup> /h	Scfh	Stm <sup>3</sup> /h	Scfh	Stm <sup>3</sup> /h	Scfh	Stm <sup>3</sup> /h	Scfh	Stm <sup>3</sup> /h	Scfh
14	2	-	-	-	-	-	-	-	-	-	-
34	5	-	-	-	-	-	-	-	-	-	-
103	15	175	6200	170	6100	-	-	-	-	-	-
207	30	310	11000	335	11900	285	10100	-	-	-	-
414	60	615	21800	620	21900	590	20900	515	18200	-	-
862	125	750	26500	870	30800	1020	36100	1115	39400	1010	35700
1724	250	765	27100	955	33800	1365	48300	1790	63300	2185	77200

Cg = 311    K1 = 97

**Table 38** Dival 600 MP flow rates at outlet pressure from 30 kPa [4.3 psig] to 420 kPa [60.9 psig]

## Dival 600 TR - DN 1" - AC20

From 30 kPa [4.3 psig] to 420 kPa [60.9 psig]

Dival 600 TR - (accuracy 20% ; AC20 according to EN334)

Input pressure		Output pressure									
		34.5 kPa   5 psig		68.9 kPa   10 psig		137.9 kPa   20 psig		206.8 kPa   30 psig		413.7 kPa   60 psig	
MPa	psig	Stm <sup>3</sup> /h	Scfh	Stm <sup>3</sup> /h	Scfh	Stm <sup>3</sup> /h	Scfh	Stm <sup>3</sup> /h	Scfh	Stm <sup>3</sup> /h	Scfh
14	2	-	-	-	-	-	-	-	-	-	-
34	5	-	-	-	-	-	-	-	-	-	-
103	15	195	6900	185	6600	-	-	-	-	-	-
207	30	330	11700	335	11900	315	11200	-	-	-	-
414	60	615	21800	620	21900	590	20900	520	18400	-	-
862	125	750	26500	870	30800	1020	36100	1115	39400	1040	36800
1724	250	765	27100	955	33800	1365	48300	1790	63300	2185	77200

Cg = 311    K1 = 97

**Table 39** Dival 600 MP flow rates at outlet pressure from 30 kPa [4.3 psig] to 420 kPa [60.9 psig]

**Note:** Recommended max flow rate are considering multiple factors such as: extend the regulator's life, mitigate the erosion/vibrations for high velocity and to minimize the noise emission.

**Remark:** all capacity stated are considering a stand alone regulator. In case of incorporated accessories a reduction of flow shall be considered.



## Dival 600 TR - DN 1-1/2" - AC10

From 30 kPa [4.3 psig] to 420 kPa [60.9 psig]

Dival 600 TR - (accuracy 10% ; AC10 according to EN334)

Input pressure		Output pressure									
		34.5 kPa   5 psig		68.9 kPa   10 psig		137.9 kPa   20 psig		206.8 kPa   30 psig		413.7 kPa   60 psig	
MPa	psig	Stm <sup>3</sup> /h	Scfh	Stm <sup>3</sup> /h	Scfh	Stm <sup>3</sup> /h	Scfh	Stm <sup>3</sup> /h	Scfh	Stm <sup>3</sup> /h	Scfh
14	2	-	-	-	-	-	-	-	-	-	-
34	5	-	-	-	-	-	-	-	-	-	-
103	15	545	19300	470	16600	-	-	-	-	-	-
207	30	925	32700	860	30400	765	27100	-	-	-	-
414	60	1370	48400	1530	54100	1545	54600	1570	55500	-	-
862	125	1570	55500	1810	64000	1815	64100	1905	67300	1470	52000
1724	250	1590	56200	1895	67000	1850	65400	1975	69800	1975	69800

Cg = 749 K1= 97

**Table 40** Dival 600 TR flow rates at outlet pressures from 30 kPa [4.3 psig] to 420 kPa [60.9 psig]

## Dival 600 TR - DN 1-1/2" - AC20

From 30 kPa [4.3 psig] to 420 kPa [60.9 psig]

Dival 600 TR - (accuracy 20% ; AC20 according to EN334)

Input pressure		Output pressure									
		34.5 kPa   5 psig		68.9 kPa   10 psig		137.9 kPa   20 psig		206.8 kPa   30 psig		413.7 kPa   60 psig	
MPa	psig	Stm <sup>3</sup> /h	Scfh	Stm <sup>3</sup> /h	Scfh	Stm <sup>3</sup> /h	Scfh	Stm <sup>3</sup> /h	Scfh	Stm <sup>3</sup> /h	Scfh
14	2	-	-	-	-	-	-	-	-	-	-
34	5	-	-	-	-	-	-	-	-	-	-
103	15	600	21200	525	18600	-	-	-	-	-	-
207	30	935	33100	900	31800	825	29200	-	-	-	-
414	60	1370	48400	1530	54100	1560	55100	1620	57300	-	-
862	125	1570	55500	1810	64000	1815	64100	1905	67300	1470	52000
1724	250	1590	56200	1895	67000	1850	65400	1975	69800	1975	69800

Cg = 749 K1= 97

**Table 41** Dival 600 TR flow rates at outlet pressures from 30 kPa [4.3 psig] to 420 kPa [60.9 psig]

**Note:** Recommended max flow rate are considering multiple factors such as: extend the regulator's life, mitigate the erosion/vibrations for high velocity and to minimize the noise emission.

**Remark:** all capacity stated are considering a stand alone regulator. In case of incorporated accessories a reduction of flow shall be considered.

## Dival 600 TR - DN 2" - AC10

From 30 kPa [4.3 psig] to 420 kPa [60.9 psig]

Dival 600 TR - (accuracy 10% ; AC10 according to EN334)											
Input pressure		Output pressure									
		34.5 kPa   5 psig		68.9 kPa   10 psig		137.9 kPa   20 psig		206.8 kPa   30 psig		413.7 kPa   60 psig	
MPa	psig	Stm <sup>3</sup> /h	Scfh	Stm <sup>3</sup> /h	Scfh	Stm <sup>3</sup> /h	Scfh	Stm <sup>3</sup> /h	Scfh	Stm <sup>3</sup> /h	Scfh
14	2	-	-	-	-	-	-	-	-	-	-
34	5	-	-	-	-	-	-	-	-	-	-
103	15	570	20200	500	17700	-	-	-	-	-	-
207	30	980	34700	1035	36600	945	33400	-	-	-	-
414	60	1895	67000	2145	75800	1920	67900	1545	54600	-	-
862	125	2375	83900	2480	87600	2975	105100	3785	133700	3790	133900
1724	250	2460	86900	2460	86900	3210	113400	4435	156700	4445	157000

Cg = 811    K1= 97

**Table 42** Dival 600 TR flow rates at outlet pressures from 30 kPa [4.3 psig] to 420 kPa [60.9 psig]

## Dival 600 TR - DN 2" - AC20

From 30 kPa [4.3 psig] to 420 kPa [60.9 psig]

Dival 600 TR - (accuracy 20% ; AC20 according to EN334)											
Input pressure		Output pressure									
		34.5 kPa   5 psig		68.9 kPa   10 psig		137.9 kPa   20 psig		206.8 kPa   30 psig		413.7 kPa   60 psig	
MPa	psig	Stm <sup>3</sup> /h	Scfh	Stm <sup>3</sup> /h	Scfh	Stm <sup>3</sup> /h	Scfh	Stm <sup>3</sup> /h	Scfh	Stm <sup>3</sup> /h	Scfh
14	2	-	-	-	-	-	-	-	-	-	-
34	5	-	-	-	-	-	-	-	-	-	-
103	15	720	25500	635	22500	-	-	-	-	-	-
207	30	1150	40700	1235	43700	1165	41200	-	-	-	-
414	60	2065	73000	2230	78800	2170	76700	2050	72400	-	-
862	125	2375	83900	2480	87600	2990	105600	3820	135000	3830	135300
1724	250	2460	86900	2460	86900	3210	113400	4435	156700	4445	157000

Cg = 311    K1= 97

**Table 43** Dival 600 TR flow rates at outlet pressures from 30 kPa [4.3 psig] to 420 kPa [60.9 psig]

**Note:** Recommended max flow rate are considering multiple factors such as: extend the regulator's life, mitigate the erosion/vibrations for high velocity and to minimize the noise emission.

**Remark:** all capacity stated are considering a stand alone regulator. In case of incorporated accessories a reduction of flow shall be considered.



# Customer Centricity

Customer centricity is a way of running your business — implementing a perfect customer experience at each stage of the pipeline. Pietro Fiorentini is one of the main Italian international company with high focus on product and service quality.

The main strategy is to create a stable, long-term relationship, putting the customer's needs first. Lean management and customer centricity are used to improve and maintain the highest level of customer experience.



## Support

Pietro Fiorentini's top priority is to provide support to the client in all phases of project development, during installation, start up and operation. Pietro Fiorentini has developed a highly standardized Intervention-Management-System (IMS), which helps to facilitate the entire process and putting the customer at the forefront of every decision in our process while manufacturing or developing a product to help improve the product and service. With our IMS business model many services are available remotely, avoiding long waiting times, improving service, and avoiding unnecessary expenses.



## Training

Pietro Fiorentini offers training services available for both experienced operators and new customers. The training is offered for all levels of our customers which can include one or all of the following: sizing of equipment, application, installation, operation, maintenance and is prepared according to the level of use and the customer's need.



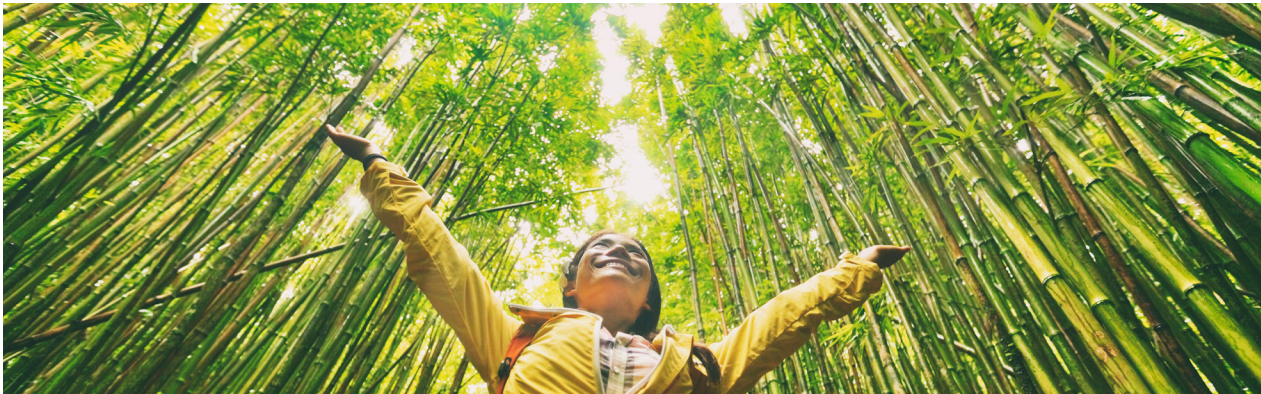
## Customer Relation Management (CRM)

The service and care of our customers are one of the main missions and vision of Pietro Fiorentini. For this reason, Pietro Fiorentini has enhanced the customer relation management system. This enables us to track every opportunity and request from our customers into one single information point and allows us to coordinate information allowing us to give the customer improved service.



# Sustainability

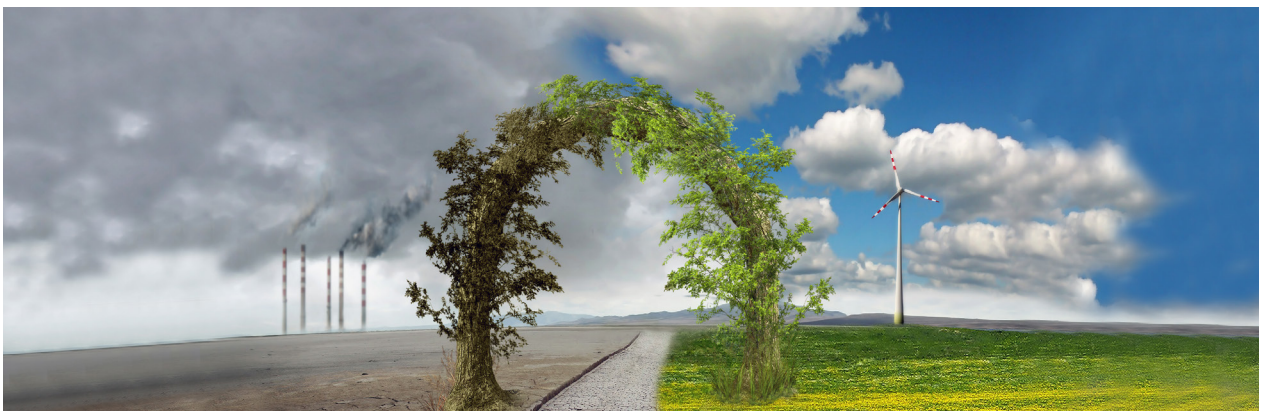
Here at Pietro Fiorentini, we believe in a world capable of improvement through technology and solutions that can shape a more sustainable future. That is why respect for people, society and the environment form the cornerstones of our strategy.



## Our commitment to the world of tomorrow

While in the past we limited ourselves to providing products, systems and services for the oil & gas sector, today we want to broaden our horizons and create technologies and solutions for a digital and sustainable world. We have a particular focus on renewable energy projects to help make the most of our planet's resources and create a future in which the younger generations can grow and prosper.

The time has come to understand how and why we operate now.









# Pietro Fiorentini

**TB0023USA**



The data is not binding. We reserve the right  
to make changes without prior notice.

dival600\_technicalbrochure\_USA\_revC

[www.fiorentini-usa.com](http://www.fiorentini-usa.com)